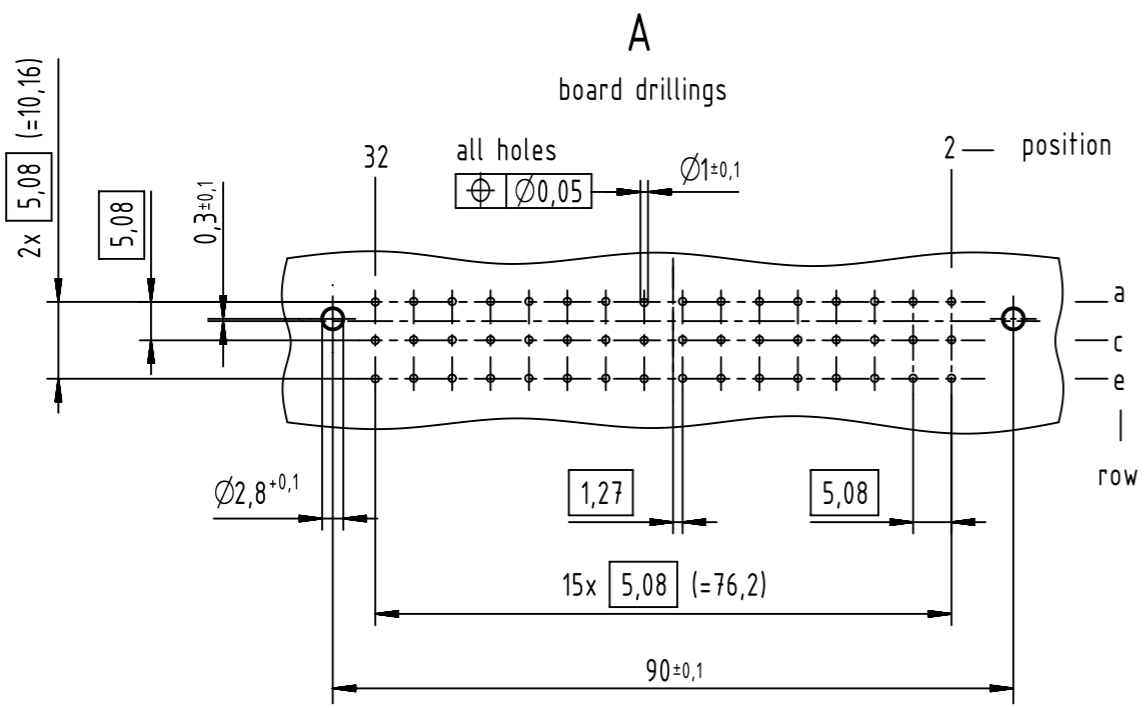
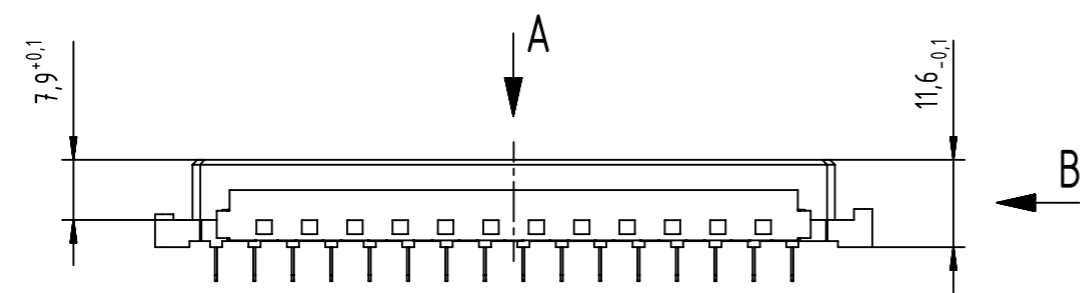
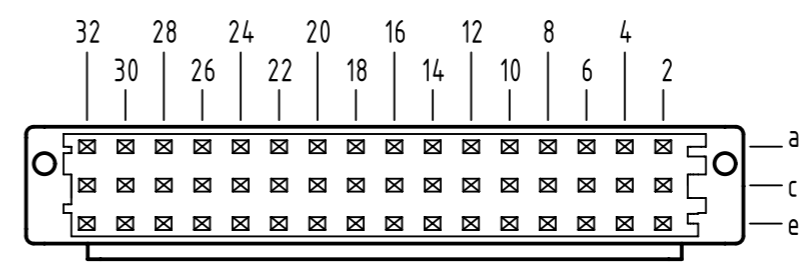


1 2 3 4 5 6 7 8

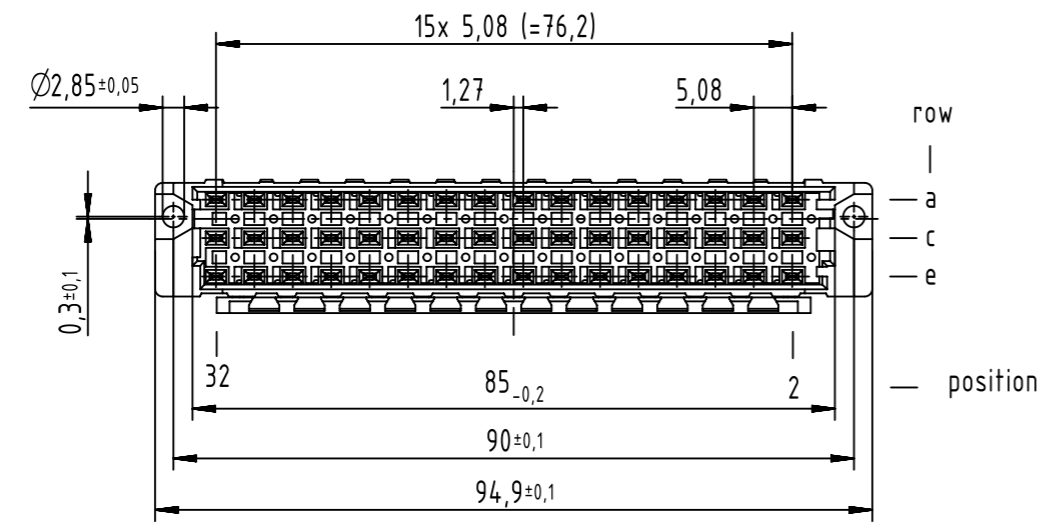
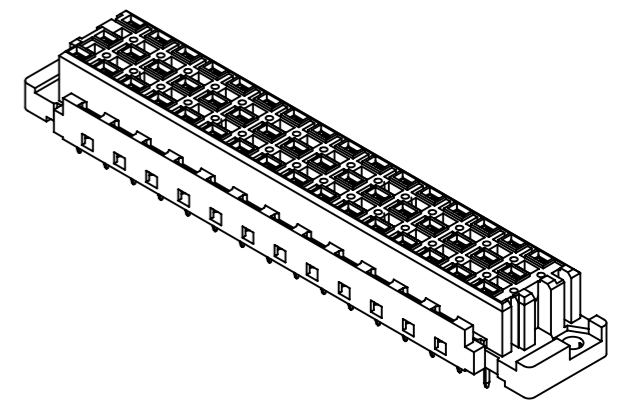
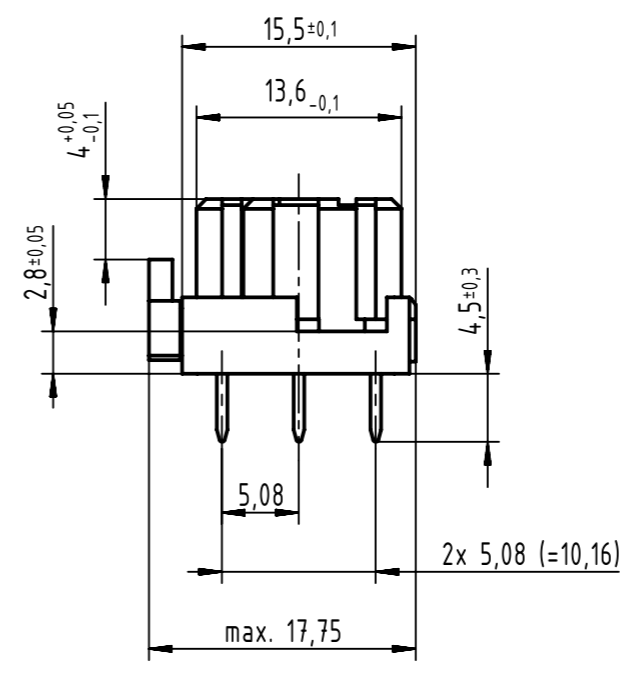
A
B
C
D
E
F



A
contact arrangement



B (2:1)



09 05 748 6831	2
09 05 748 2831	1
part no.	performance level 1

1 further information see: DS 09042100001

	All Dimensions in mm Original Size DIN A3		Scale 1:1	Free size tol.		Ref.	
	All rights reserved Department EL PD		Created by LEHNERT	Inspected by DAHMS	Standardisation HOFFMANN	Date 2018-06-27	State Final Release
HARTING Electronics GmbH D-32339 Espelkamp		Title DIN Power type E female solder 4.5 with coding 48-pole			Doc-Key / ECM-Nr. 100217574/UGD/017/C 500000131996		Rev. C
		Type TB	Number 0905748X831		Page 1/1		

1 2 3 4 5 6 7 8